

CHICAGO TAPERS™



CHICAGO TAPERS™

CHICAGOTAPERS.COM

CHICAGOTAPERS.COM

JOIN THE INNOVATION

JOIN THE INNOVATION

CT-33PS
CASE ERECT, PACK AND SEAL SYSTEM

CT-33PS
CASE ERECT, PACK AND SEAL SYSTEM

CONTACT US

708 - 387 - 2253
708 - 387 - 2211
sales@chicagotapers.com

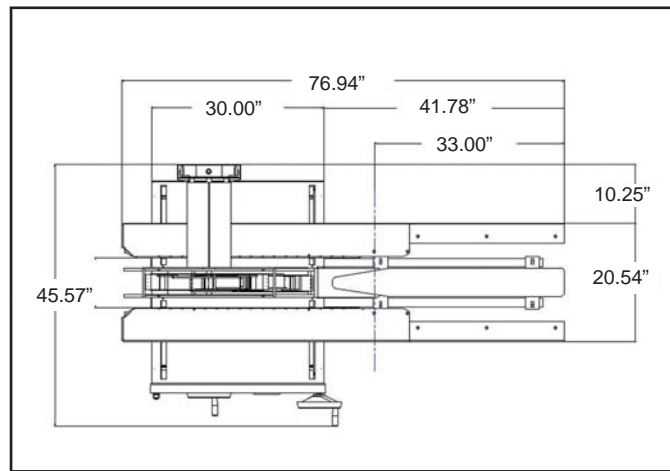


CT-33PS

CASE ERECT, PACK AND SEAL SYSTEM



The CT-33PS Pack Station by Chicago Tapers is a semi-automatic case erect / pack / top and bottom seal system. Exclusive features of the machine are the pack station for "hands-free" case loading, welded frame with adjustable legs and open face tape heads.



CT-33PS DIMENSIONS

CT-33PS OPTIONS:

- Reverse direction.
- Case-forming machine Durapack 22-V.
- Compression wheels.
- Exit conveyors.
- Customer specified finish
- Casters.
- Optional 3" tape head.

TECHNICAL SPECIFICATIONS FOR THE CT-33PS:

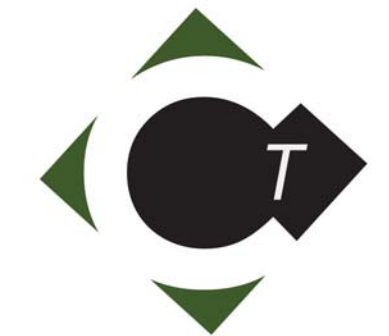
Case range:	min. 7" x 7" x 5" max. 22" x 20" x 27" (L x W x H)
Belt speed:	60ft./min.
Case weight:	Up to 80 lbs.
Throughput:	Up to 15 cases/min., depending on operator skill.
Finish:	Painted frame and unit belts.
Taping heads:	Taping heads for 2" wide tape.
Power requirements:	110 VAC, 1 Ph, 60 Hz, 3.2 Amp/to requirement.
Pneumatic:	45 PSI, 2 CFM.
Side belt motors:	Two 1/6 HP motors.
Table height:	26" - 32"
Machine dimension:	77" x 42" x 65" (L x W x H)

FEATURES

New pack station.	Protects the product. Ability to pack heavy with ease. Easy advancement to taping section.
New dual flap kicker operation.	Folds all four bottom flaps and holds the case firmly in place. Handles single and double wall cases with ease.
Extended belts & 3-flap folder.	Minimizes operator fatigue.
Painted exterior finish.	Resists weather, staining and chemicals.
Heavy-duty welded frames.	Durable construction for demanding applications.
Centralized case adjustments.	Fast and easy size change improves efficiency.
Open tape feed path.	Quick and operator-friendly roll changes.

BENEFITS

SERVING MANY DIFFERENT INDUSTRIES:



CHICAGO TAPERS™

Chicago Tapers
5117 Dansher Road
Countryside, IL 60525 USA
tel: 708.387.2253
fax: 708.387.2211
sales@chicagotapers.com