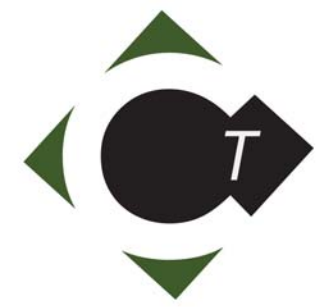


CHICAGO TAPERS™



CHICAGO TAPERS™

CHICAGOTAPERS.COM

JOIN THE INNOVATION



THE NEW CT-8 SA
SEMI AUTOMATIC CASE TAPER



CONTACT US

📞 708 - 588 - 1374
📞 708 - 588 - 1625
✉ sales@chicagotapers.com

CHICAGOTAPERS.COM

JOIN THE INNOVATION



THE NEW CT-8 SA
SEMI AUTOMATIC CASE TAPER





THE NEW CT-8 SA™ SEMI AUTOMATIC CASE TAPER



The CT-8 SA™ Semi-Automatic Case Sealer is a full stainless steel top and bottom case sealer. The CT-8 SA™ is loaded with features and boasts an open face tape head which is easy to thread and light weight. These features include a roller bed table, casters, compression wheels, entrance & exit roller tables. The CT-8 SA™ provides our customers with uptime reliability while keeping maintenance costs down to a minimum.

FEATURES

BENEFITS

Stainless steel finish.	Resists weather, staining and chemicals.
Heavy duty welded frame.	Durable construction for demanding applications.
Centralized case adjustment.	Fast and easy size change improves flexibility and efficiency.
Open tape feed path.	Tape roll change is accomplished in seconds, reducing downtime.
Casters, compression wheels, roller bed tables.	Rugged performance for weight, speed, and durability.

TECHNICAL SPECIFICATIONS FOR THE CT-8 SA:

Case range:	min. 6" x 4.5" x 4.5" max. Unlimited x 20" x 20" (L x W x H)
Belt speed:	60ft./min. (optional 90ft./min.)
Taping head:	Taping heads for 2.00" wide tape.
Power requirement:	110 VAC, 1 Ph, 60 Hz, 5.6 Amp.
Machine dimensions:	135.00" x 61.00" x 81.00" at 26.00 table height. (L x W x H)
Compression wheels:	Standard.
Adjustable legs:	Standard.
Infeed and outfeed roller table:	Standard.
Roller bed table:	Standard.
Casters:	Standard.

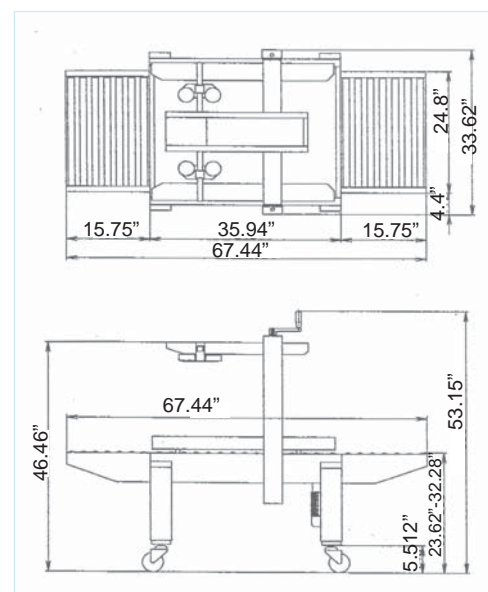
SERVING MANY DIFFERENT INDUSTRIES:



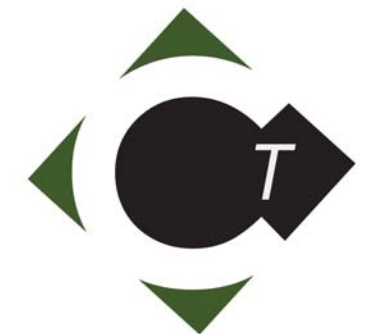
CT-8 SA OPTIONS:

- 3" tape head.
- Spare parts available.

CT-8 SA DIMENSIONS



- Open tape feed path.
- Light Weight.
- Blade guard.
- Tension adjustments.
- Reliable and accurate tape process.
- Solid construction.
- Top and bottom heads interchangeable.



CHICAGO TAPERS™

Chicago Tapers
5117 Dansher Road
Countryside, IL 60525 USA
tel: 708.588.1374
fax: 708.588.1625
sales@chicagotapers.com

CT-8 SA SEMI AUTOMATIC CASE TAPER